



Air Line Fittings

A

Assortments, Air Line

- Automotive Couplers & Plugs & Flexeel Repair Kit VA-9
- Automotive Couplers & Plugs & Hose Repair Kit VA-9
- Industrial Couplers & Plugs & Flexeel Repair Kit VA-9
- Industrial Couplers & Plugs & Hose Repair Kit VA-9

F

Fittings, Air Line

- 3 in 1 Manifolds VA-16
- Ball Swivel Connectors
 - ARO Series VA-10
 - Automotive Standard VA-8
 - Industrial Interchange VA-7
- Blow Guns
 - Accessories
 - Coupler Blow Gun VA-21
 - Non-Safety Tips VA-19
 - Safety Tips VA-18, VA-19
 - Coupler Blow Gun VA-21
 - In-Line Blow Gun VA-21
 - Pistol Grip VA-19
 - Super-Flow Blow Gun VA-18
 - Typhoon Max Flow Blow Gun VA-18
 - Vari-Flo Blow Gun VA-18, VA-20
- Chuck VA-17
- Couplers & Plugs
 - ARO Series VA-10
 - Auto. Standard VA-8
 - Gen'l Information VA-2
 - Ind. Interchange VA-7
 - Prevost ISC 06 Series VA-4
 - Prevost ISG 11 Series VA-6
 - Prevost USC 06 Series VA-5
 - Universal Fittings VA-12, VA-13
- Ferrules, Brass VA-17
- Filter Plugs
 - Automotive Standard VA-8
 - Industrial Interchange VA-7
- Hose Crimper VA-17
- Interchange Chart
 - Coupler Plugs VA-3
 - Couplers VA-2
- Universal VA-12, VA-13

H

Hose

- Accessories
 - Dual Swivel Fitting VA-17
 - ReelTek™ Hose & Reel Assemblies VA-22
 - Repair Fittings for Polyurethane Air Hose VA-15
 - Repair Fittings for Polyurethane Air Hose VA-15
 - Vinyl Hose Guards VA-16
 - Yellow Belly Repair Fittings VA-16
- Polyurethane
 - Flexeel Reinforced Ball Swivel Lead In Hose VA-15
 - Flexeel Reinforced Polyurethane Air Hose VA-15
 - Flexeel Reinforced Polyurethane Coiled Air Hose VA-14
 - Yellow Belly PVC Air Hose VA-16

W

Water Service

- Couplings & Rubber Washers VA-12

A
I
R
L
I
N
E
F
I
T
T
I
N
G
S



IBS, INCORPORATED

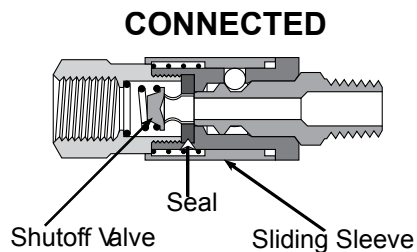
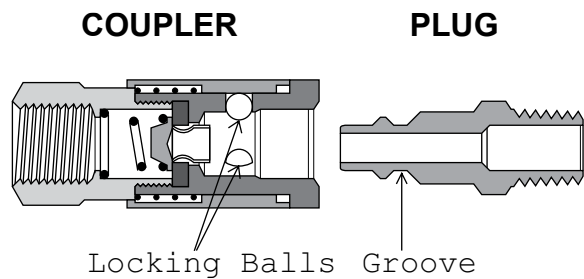
Air Line Accessories V03

Coupler Interchange

COUPLER INTERCHANGE

IBS	ARO	Auto	Camel	Coilhose	Foster	Hansen	Milton	Parker	Schrader	Tomco
C1	TFCM22	13-124	61-254	162	TF3103	—	786	12	3503	
C1-03	TFCM23-000	C1-03	C1-03	165	TF3303	B21QS-37M	—	B12E	C1-03	2182
C2	TFCF22	13-134	61-523	160	TF3003	—	785	13	3504	
C2-23	TFCF23-000	C2-23	C2-23	161	TF3203	B21QS-37F	—	B13E	C2-23	2185
C2-44	TFCH23-000	C2-44	C2-44	166	TF3703	B21Q-37H	786-6	B10-58	C2-44	2188
C20-42	23102-22	C20-42	C20-42	153	3603	1600	717	B20-3B	C20-42	186
C20-44	23102-24	C20-24	C20-44	156	3703	1700	717-6	B20-5B	C20-44	187
C25-02	23102-12	C25-02	C25-02	583A	4104	410	—	24C	C25-02	T410
C5	—	13-604	61-554	591	TF4304	—	1806	14	3515	
C6	—	13-612	61-553	590	TF4204	—	1805	15	3516	
C7	—	13-602	61-478	593	TF4104	—	—	14C	—	
C8	—	13-610	61-476	592	TF4004	—	1803	15C	3521	
C9	—	13-704	61-564	122	5305	530	1816	16	3511	
C10	—	13-712	61-563	120	5205	520	1815	17	3512	
C20	23102-200	13-234	61-573	150	3003	3000	715	23	5142-12	
C20-23	23102-3	—	61-103	151	3203	3200	718	—	5263-12	
C21	23102-212	13-224	61-574	152	3103	3100	716	22	5141-12	
C21-03	23102-213	—	61-101	155	3303	3300	719	—	5140-12	
C25	23103-313	13-526	61-483	581	4304	4300	1836	24	—	
C26	23103-300	13-536	61-482	580	4204	4200	1835	25	3541	
C27	—	13-424	61-486	—	LN3103	—	790	72	—	
C28	—	13-434	61-548	170	LN3003	—	—	73	3528	
C37	—	13-324	61-527	142	—	—	—	52	3525	
C38	—	13-334	61-526	140	—	—	—	53	3526	

Couplers & Plugs



- Quick disconnect couplers are the fastest, easiest and most reliable means of joining pneumatic and fluid transfer lines. All quick disconnect couplers work on the same principle:
- Hardened balls or pins engage a groove in the coupler plug to hold it securely against a soft seal while permitting the assembly to swivel, thereby preventing kinking or twisting of hoses.

- A sliding sleeve releases the locking balls when retracted, permitting the plug to be inserted or removed. The sleeve automatically returns to the locked position when released.
- An automatic shutoff valve in the coupler seals instantly upon uncoupling, eliminating the need for a separate shutoff.



Coupler Plug Interchange

COUPLER INTERCHANGE

IBS	ARO	Auto	Camel	Coilhose	Foster	Hansen	Milton	Parker	Schrader	Tomco
CP1	TFPM22	12-124	61-538	1601	TF10	—	783	2C	3506	
CP1-03	TFPM23	—	61-150	—	TF14	—	—	2C-E	—	
CP2	TFPF22	12-134	61-539	1602	TF11	—	4784	3C	3507	
CP1-42	TFPH22-000	CP1-42	CP1-42	1606	TF16	21AP-25H	783-4	8C	CP1-42	2164
CP1-44	TFPH23-000	CP1-44	CP1-44	1608	TF17	21AP37H	783-6	9C	CP1-44	2166
CP17-03	23904-10	CP17-03	CP17-03	120A	52-5	52	1859	HOF	CP17-03	T52
CP2-23	TFPF23	—	—	—	TF-15	—	—	3C-E	—	
CP21-42	23902-220	CP21-42	CP21-42	1506	16-3	16	736	H8C	CP21-42	1824
CP21-44	23902-420	CP21-44	CP21-44	1508	17-3	17	736-6	H9C	CP21-44	1826
CP25-02	23903-210	CP25-02	CP25-02	5803	40-4	40	1839	HOE	CP25-02	T40
CP25-44	23903-420	CP25-44	CP25-44	5806	48-4	406	1837-6	H5E	CP25-44	T48
CP26-22	23903-300	CP26-22	CP26-22	5804	43-4	43	1838	H3E	CP26-22	T41
CP5	—	12-604	61-558	5901	TF42	—	107	2E	3517	
CP6	—	12-612	61-559	5902	TF43	—	1808	3E	3518	
CP7	—	12-602	61-480	5903	TF40	—	1809	0E	3519	
CP8	—	12-610	61-481	5904	TF41	—	1810	1E	3520	
CP10	—	12-712	61-569	—	55-5	55	1818	3F	3514	
CP17	23904-410	12-752	61-134	1201	54-5	54	1857	H2F	—	
CP20	23902-200	12-234	61-579	1502	11-3	11	728	H3C	5319-11	
CP20-23	23902-3	12-236	61-107	1505	15-3	15	732	H3C-E	5263-11	
CP21	23902-210	12-224	61-578	1501	10-3	10	727	H2C	5138-11	
CP21-03	23902-310	12-226	61-535	1503	14-3	14	733	H2C-E	—	
CP25	23903-310	12-526	61-484	5801	42-4	42	1837	H2E	3542	
CP26	23903-300	12-536	61-485	5802	43-4	43	1838	H3E	3543	
CP27	—	12-424	61-550	1701	LN11	—	791	L2C	3531	
CP28	—	12-434	61-551	1702	LN10	—	792	L3C	3532	
CP37	2608	12-324	61-528	1401	210-10	1G3	777	A2C	3529	
CP3703	22236	CP37-03	CP37-03	—	—	20AP-37M	—	—	CP37-03	
CP38	2609	12-334	61-529	1402	210-11	1G2	778	A3C	3530	

A
I
R
L
I
N
E
F
I
T
T
I
N
G
S

Features & Benefits

Long Service Life

- Zinc plated to provide a non-corrosive finish.
- Heat treated to harden critical wear points.
- Molded Buna-n seals create a leak proof connection.

Variety of Sizes and Styles

- Available in 1/4", 3/8", and 1/2" bodies with male and female pipe threads, or hose barb ends.

Efficient Performance

- Tubular valve design provides high flow rates.
- Steel locking balls ensure connection holds tight under the most rugged applications.
- Spring loaded sliding outer sleeve allow quick connect/disconnect.

Interchangeability

- Fully interchangeable with couplers and plugs made by other manufacturers. (See accompanying interchange chart.)





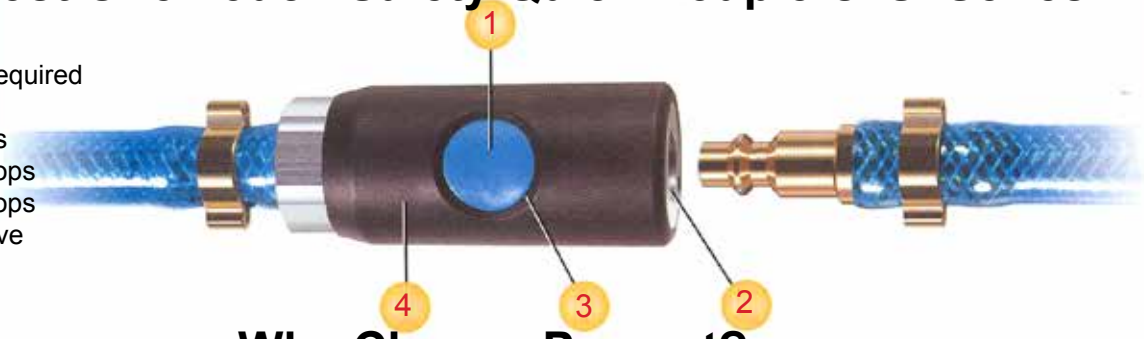
IBS, INCORPORATED

Air Line Accessories V03

Prevost One-Touch Safety Quick Couplers ISI Series

Applications

- Safety Required
- Air Tools
- Blowguns
- Paint Shops
- Body Shops
- Automotive
- Aircraft



Why Choose Prevost?

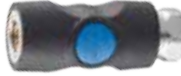


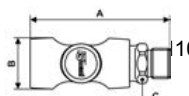

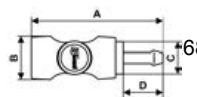
1	SAFETY FUNCTION	Innovative One-Touch Push-Button Safety System safely vents the air circuit in a single step enabling tools to be changed quickly on assembly lines. Prevents dangerous hose whip. Allows the safety coupling to be connected and disconnected using one hand, for rapid and effortless use. Conforms to ISO 4414 Standard for Safety.
2	INTER-CHANGEABLE	Safety coupling is fully interchangeable with all common sockets with the Industrial Interchange Profile.
3	INNOVATION	Color coded buttons mean that international profiles can be identified quickly and easily - less risk of connection errors that may result in damage or cause accidents.
4	CONSTRUCTION	The socket is manufactured of high impact material with nitrile seals. The ergonomic shape ensures a natural grip and easy handling. Non-slip high impact composite material to ensure a firm grip and no prominent edges to scratch finished surfaces.

SAFETY QUICK COUPLERS

ISO6 - 1/4" BODY SIZE

ISO 6150-C
US Mil C 4109

1/4" Body Size	SAFETY ISO 4414 Safety Coupler	AIR FLOW 34 SCFM DP10 PSI @ 100PSI	PRESSURE 174 PSI	TEMPERATURE +5°F to 158°F	LIGHT WEIGHT 2.6 oz.	MATERIAL Composite material body	COLOR Black Body Blue Button	APPLICATIONS Air Supply
----------------	--------------------------------	------------------------------------	------------------	---------------------------	----------------------	----------------------------------	------------------------------	-------------------------



IBS No.	A	B	C	D	Description	Qty
137715					Female Thread Coupler	1
		677	1.181	20mm	-	1/4" FNPT
137714					Male Thread Coupler	1
		10	1.181	20mm	-	1/4" MNPT
137716					Hose Stem Coupler	1
		68	1.181	.764	.898	3/8" ID Hose

SAFETY QUICK COUPLERS

ISO6 - 3/8" BODY SIZE

ISO 6150-D
US Mil C 4109

3/8" Body Size	SAFETY ISO 4414 Safety Coupler	AIR FLOW 81 SCFM DP10 PSI @ 100PSI	PRESSURE 174 PSI	TEMPERATURE +5°F to 158°F	LIGHT WEIGHT 3.99 oz.	MATERIAL Composite material body	COLOR Black Body Blue Button	APPLICATIONS Air Supply
----------------	--------------------------------	------------------------------------	------------------	---------------------------	-----------------------	----------------------------------	------------------------------	-------------------------

IBS No.	A	B	C	Description	Qty	
137717				Female Thread Coupler	1	
		3.185	1.299	23mm		3/8" FNPT

For use with Industrial Interchange Plugs

AIR

LINE

FITTINGS



IBS, INCORPORATED

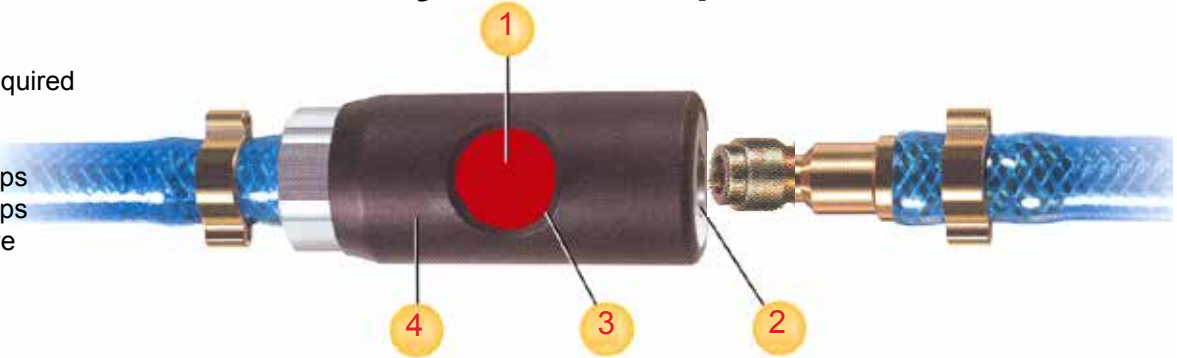
Air Line Accessories V03



Prevost One-Touch Safety Quick Couplers USI Series

Applications

- Safety Required
- Air Tools
- Blowguns
- Paint Shops
- Body Shops
- Automotive
- Aircraft






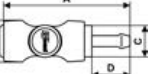


Why Choose Prevost?

1	SAFETY FUNCTION	Innovative One-Touch Push-Button Safety System safely vents the air circuit in a single step enabling tools to be changed quickly on assembly lines. Prevents dangerous hose whip. Allows the safety coupling to be connected and disconnected using one hand, for rapid and effortless use. Conforms to ISO 4414 Standard for Safety.
2	INTER-CHANGEABLE	Safety coupling is fully interchangeable with all common sockets with the Automotive Interchange Profile.
3	INNOVATION	Color coded buttons mean that international profiles can be identified quickly and easily - less risk of connection errors that may result in damage or cause accidents.
4	CONSTRUCTION	The socket is manufactured of high impact material with nitrile seals. The ergonomic shape ensures a natural grip and easy handling. Non-slip high impact composite material to ensure a firm grip and no prominent edges to scratch finished surfaces.


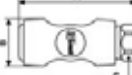
SAFETY QUICK COUPLERS USI06 - 1/4" BODY SIZE Truflate Profile

1/4" Body Size	SAFETY ISO 4414 Safety Coupler	AIR FLOW 34 SCFM DP10 PSI @ 100PSI	PRESSURE 174 PSI	TEMPERATURE +5°F to 158°F	LIGHT WEIGHT 2.6 oz.	MATERIAL Composite material body	COLOR Black Body Red Button	APPLICATIONS Air Supply
----------------	--------------------------------	------------------------------------	------------------	---------------------------	----------------------	----------------------------------	-----------------------------	-------------------------

IBS No.	A	B	C	D	Description	Qty
137711					Female Thread Coupler	1
		2.795	1.181	20mm	-	1/4" FNPT
137710					Male Thread Coupler	1
		3.228	1.181	20mm	-	1/4" MNPT
137712					Hose Stem Coupler	1
		3.386	1.181	.764	.898	3/8" ID Hose

SAFETY QUICK COUPLERS USI08 - 3/8" BODY SIZE Truflate Profile

3/8" Body Size	SAFETY ISO 4414 Safety Coupler	AIR FLOW 81 SCFM DP10 PSI @ 100PSI	PRESSURE 174 PSI	TEMPERATURE +5°F to 158°F	LIGHT WEIGHT 3.99 oz.	MATERIAL Composite material body	COLOR Black Body Blue Button	APPLICATIONS Air Supply
----------------	--------------------------------	------------------------------------	------------------	---------------------------	-----------------------	----------------------------------	------------------------------	-------------------------

IBS No.	A	B	C	Description	Qty
137713				Female Thread Coupler	1
		3.244	1.299	23mm	3/8" FNPT

For use with Automotive Interchange Plugs

AIR LINE FITTINGS





IBS, INCORPORATED

Air Line Accessories V03

Prevost Safety Quick Couplers ISG 11 Series



Why Choose Prevost?

1	HIGH FLOW	Quick couplings with 1/2" Body Size are ideal for high-capacity pneumatic tools (impact wrenches for truck tires, jackhammers, pneumatic pumps, etc.)
2	SAFETY FUNCTION	Innovative Clamping System safely vents the air circuit and prevents dangerous hose whip. Conforms to the ISO 4414 Standard for Safety.
3	FULLY AUTOMATIC	Patented double acting sleeve allows the ISG to be connected and disconnected using one hand for rapid and effortless changing.
4	LIGHT WEIGHT	The ISG 11 coupling for flexible hose weighs only 8 ounces.

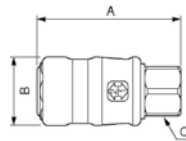
SAFETY QUICK COUPLERS

ISG11 - 1/2" BODY SIZE

ISO 6150 - B
US MII C 4109

1/2" Body Size	SAFETY ISO 4414 Safety Coupler	AIR FLOW 188.80 SCFM P14.50 PSI	PRESSURE 175 PSI	TEMPERATURE +5°F to 160°F	LIGHT WEIGHT 8.0 oz.	MATERIAL Fiberglass Composite Material Body	COLOR Black Body Blue Button	APPLICATIONS Heavy Duty Large Air tools
----------------	--------------------------------	---------------------------------	------------------	---------------------------	----------------------	---	------------------------------	---

IBS No.	A	B	C	Description	Qty
137718				Female Thread Coupler	1



86 43 30°

1/2" FNPT

For use with Industrial Interchange Plugs

1. Pulling back releases downstream air pressure making hoses safe

Applications

- Heavy Duty
- Large Air Tools
- Furniture
- Upholstery
- Automobile
- Aircraft
- Air Automation
- High Volume



2. Pushing forward safely releases the plug

A
I
R
L
I
N
E
F
I
T
T
I
N
G
S



IBS, INCORPORATED

Air Line Accessories V03



Industrial Interchange Series

Plated steel couplers with hardened steel springs

WARNING: Couplers and plugs on these pages are intended for use on compressed air lines only. All have a maximum rated working pressure of 300 PSI.



INDUSTRIAL - MALE COUPLERS

NPT End Size	Body Size			Qty
Male Couplers	1/4"	3/8"	1/2"	
1/4" MPT	C21	C25-02		5
3/8" MPT	C21-03	C25		5
1/2" MPT			C9*	5

* 1/2" Coupler is interchangeable with Industrial Interchange and Automotive Standard Series



INDUSTRIAL - FEMALE COUPLERS

NPT End Size	Body Size			Qty
Female Couplers	1/4"	3/8"	1/2"	
1/4" FPT	C20			5
3/8" FPT	C20-23	C26		5
1/2" FPT			C10*	5

* 1/2" Coupler is interchangeable with Industrial Interchange and Automotive Standard Series



INDUSTRIAL - BARBED COUPLERS

NPT End Size	Body Size			Qty
Barbed Couplers	1/4"	3/8"	1/2"	
1/4" Barbed	C20-42			5
3/8" Barbed	C20-44			5



- Incorporates the features of an inline filter directly into the pneumatic connector or plug.
- Sintered-bronze filter element protects and extends tool life.
- Back pressure from tool automatically flushes filter.
- Ideal for pneumatic nailers, sanders, etc.

INDUSTRIAL - FILTER PLUG

NPT End Size	Body Size			Qty
Filter Plug	1/4"	3/8"	1/2"	
1/4" MPT	CP21F	CP25-02F		5
3/8" MPT	CP21-03F	CP25F		5
CPF-KIT	Filtering Element Kit			1



INDUSTRIAL - MALE PLUGS

NPT End Size	Body Size			Qty
Male Plugs	1/4"	3/8"	1/2"	
1/4" MPT	CP21	CP25-02		5
3/8" MPT	CP21-03	CP25	CP17-03	5
1/2" MPT			CP17	5



INDUSTRIAL - FEMALE PLUGS

NPT End Size	Body Size			Qty
Female Plugs	1/4"	3/8"	1/2"	
1/4" FPT	CP20	CP26-22		5
3/8" FPT	CP20-23	CP26		5
1/2" FPT			CP18	5



INDUSTRIAL - BARBED PLUGS

NPT End Size	Body Size			Qty
Barbed Plugs	1/4"	3/8"	1/2"	
1/4" Barbed	CP21-42			5
3/8" Barbed	CP21-44	CP25-44		5



- Combines the features of ball swivel fitting & connectors
- Eliminates the need for an additional fitting.
- Provides an ergonomic & lightweight tool to hose connection.
- Connection and nut portion is nickel plated hardened steel and the threaded portion of the fitting is all brass.

INDUSTRIAL - BALL SWIVEL CONN

NPT End Size	Body Size			Qty
Ball Swivel	1/4"	3/8"	1/2"	
1/4" FPT	CP20S			5
1/4" MPT	CP21S	CP25-02S		5
3/8" MPT	CP21-03S	CP25S		5



IBS, INCORPORATED

Air Line Accessories V03

Automotive Standard Series

WARNING: Couplers and Plugs on these pages are intended for use on compressed air lines only. All have a maximum rated working pressure of 300 PSI.



AUTOMOTIVE - MALE COUPLERS

NPT End Size	Body Size			Qty
Male Couplers	1/4"	3/8"	1/2"	
1/4" MPT	C1	C7		5
3/8" MPT	C1-03	C5		5
1/2" MPT			C9*	5

* 1/2" Coupler is interchangeable with Industrial Interchange and Automotive Standard Series



AUTOMOTIVE - FEMALE COUPLERS

NPT End Size	Body Size			Qty
Female Couplers	1/4"	3/8"	1/2"	
1/4" FPT	C2	C8		5
3/8" FPT	C2-23	C6		5
1/2" FPT			C10*	5

* 1/2" Coupler is interchangeable with Industrial Interchange and Automotive Standard Series



AUTOMOTIVE - BARBED COUPLERS

NPT End Size	Body Size			Qty
Barbed Couplers	1/4"	3/8"	1/2"	
1/4" Barbed	C2-42			5
3/8" Barbed	C2-44			5



AUTOMOTIVE - MALE PLUGS

NPT End Size	Body Size			Qty
Male Plugs	1/4"	3/8"	1/2"	
1/4" MPT	CP1	CP7		5
3/8" MPT	CP1-03	CP5		5
1/2" MPT			CP9	5



AUTOMOTIVE - FEMALE PLUGS

NPT End Size	Body Size			Qty
Female Plugs	1/4"	3/8"	1/2"	
1/4" FPT	CP2	CP8		5
3/8" FPT	CP2-23	CP6		5
1/2" FPT			CP10	5



AUTOMOTIVE - BARBED PLUGS

NPT End Size	Body Size			Qty
Barbed Plugs	1/4"	3/8"	1/2"	
1/4" Barbed	CP1-42			5
3/8" Barbed	CP1-44			5



- Incorporates the features of an inline filter directly into the pneumatic connector or plug.
- Sintered-bronze filter element protects and extends tool life.
- Back pressure from tool automatically flushes filter.
- Ideal for pneumatic nailers, sanders, etc.

AUTOMOTIVE - FILTER PLUG

NPT End Size	Body Size			Qty
Filter Plug	1/4"	3/8"		
1/4" MPT	CP1F	CP7F		5
3/8" MPT	CP1-03F	CP5F		5
CPF-KIT	Filtering Element Kit			1



- Combines the features of ball swivel fitting & connectors
- Eliminates the need for an additional fitting.
- Provides an ergonomic & lightweight tool to hose connection.
- Connection and nut portion is nickel plated hardened steel and the threaded portion of the fitting is all brass.

AUTOMOTIVE - BALL SWIVEL CONN

NPT End Size	Body Size			Qty
Ball Swivel	1/4"	3/8"		
1/4" FPT	CP2S			5
1/4" MPT	CP1S	CP7S		5
3/8" MPT	CP1-03S	CP5S		5

AIR LINE FITTINGS



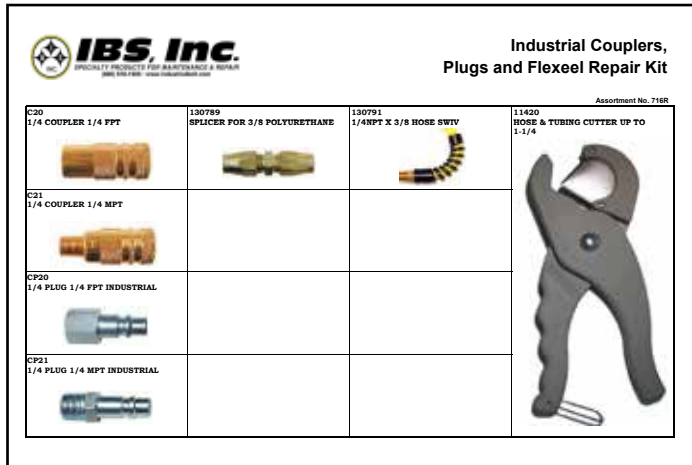
IBS, INCORPORATED

Assortments Z02



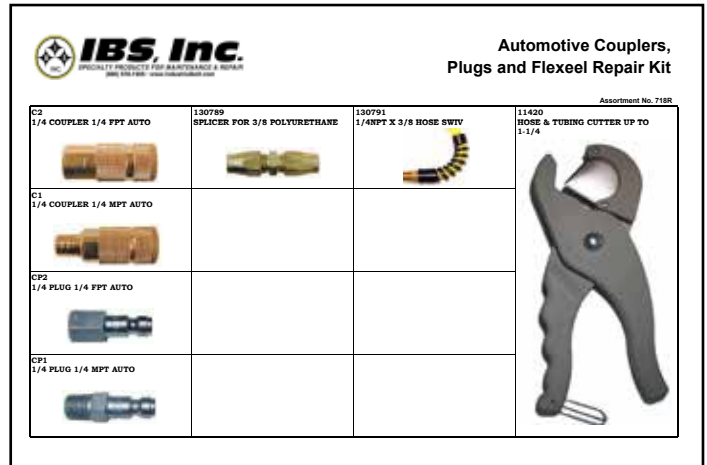
Industrial Couplers, Plugs and Flexeel Repair Kit

IBS No. 716R • 7 Items • 20 Pcs
Packaged in a locking steel drawer for easy storage and organization



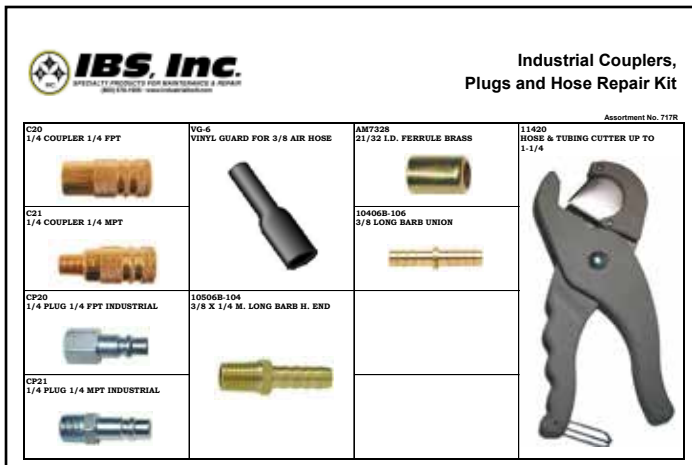
Automotive Couplers, Plugs and Flexeel Repair Kit

IBS No. 718R • 7 Items • 20 Pcs
Packaged in a locking steel drawer for easy storage and organization



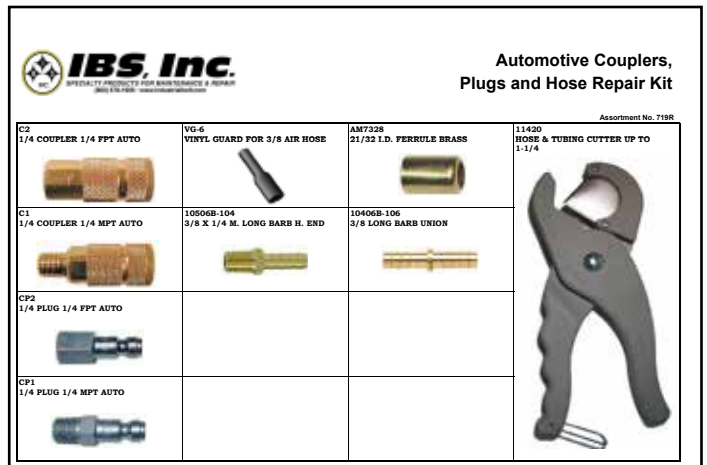
Industrial Couplers, Plugs and Hose Repair Kit

IBS No. 717R • 9 Items • 36 Pcs
Packaged in a locking steel drawer for easy storage and organization



Automotive Couplers, Plugs and Hose Repair Kit

IBS No. 719R • 9 Items • 36 Pcs
Packaged in a locking steel drawer for easy storage and organization



AIR LINE FITTINGS



IBS, INCORPORATED

Air Line Accessories V03

The ARO Series

This series of couplers and connectors is engineered to interchange with ARO design as well as similar designs of other manufacturers.

AIR LINE FITTINGS



ARO SERIES - MALE COUPLERS

NPT End Size	Body Size			Qty
Male Couplers	1/4"	3/8"	1/2"	
1/4" MPT	C37			5



ARO SERIES - MALE PLUGS

NPT End Size	Body Size			Qty
Male Plugs	1/4"	3/8"	1/2"	
1/4" MPT	CP37			5



ARO SERIES - FEMALE COUPLERS

NPT End Size	Body Size			Qty
Female Couplers	1/4"	3/8"	1/2"	
1/4" FPT	C38			5



ARO SERIES - MALE PLUGS

NPT End Size	Body Size			Qty
Male Plugs	1/4"	3/8"	1/2"	
1/4" FPT	CP38			5



- Incorporates the features of an inline filter directly into the pneumatic connector or plug.
- Sintered-bronze filter element protects and extends tool life.
- Back pressure from tool automatically flushes filter.
- Ideal for pneumatic nailers, sanders, etc.

ARO SERIES - FILTER PLUG

NPT End Size	Body Size			Qty
Filter Plug	1/4"	3/8"	1/2"	
1/4" MPT	CP37F			5
3/8" MPT	CP38F			5
CPF-KIT	Filtering Element Kit			1



- Combines the features of ball swivel fitting & connectors
- Eliminates the need for an additional fitting.
- Provides an ergonomic & lightweight tool to hose connection.
- Connection and nut portion is nickel plated hardened steel and the threaded portion of the fitting is all brass.

ARO SERIES - BALL SWIVEL CONN

NPT End Size	Body Size			Qty
Ball Swivel	1/4"	3/8"	1/2"	
1/4" FPT	CP38S			5
1/4" MPT	CP37S			5
3/8" MPT	CP37-03S			5





Hi-Flo Couplers & Plugs

Hi-Flo series couplers and plugs are engineered to allow twice the flow of comparably-sized standard couplers and plugs. The flow rates on the 1/4" size are greater than many 3/8" body size couplers. Increased air flow results in greater tool efficiency and decreased air costs.

Ideal for High Volume and Low Pressure applications such as drills, grinders, sprayers and impact guns.

- Hi-Flo couplers will accept INDUSTRIAL and ARO style plugs — however to retain maximum flow, use Hi-Flo style plugs.
- Maximum inlet pressure: 300 PSI
- Maximum temperature: 250°F
- Air Flow: 40 SCFM @ 100 PSI
- Seals: Buna-N



**HI-FLO SERIES
MALE COUPLERS**

NPT End Size	Body Size	Qty
Male Couplers	1/4"	
1/4" MPT	C91	5
3/8" MPT	C91-03	5



**HI-FLO SERIES
FEMALE COUPLERS**

NPT End Size	Body Size	Qty
Female Couplers	1/4"	
1/4" FPT	C90	5
3/8" FPT	C90-23	5



**HI-FLO SERIES
MALE PLUGS**

NPT End Size	Body Size	Qty
Male Plugs	1/4"	
1/4" MPT	CP91	5
3/8" MPT	CP91-03	5



**HI-FLO SERIES
FEMALE PLUGS**

NPT End Size	Body Size	Qty
Female Plugs	1/4"	
1/4" FPT	CP90	5
3/8" FPT	CP90-23	5

AIR LINE FITTINGS





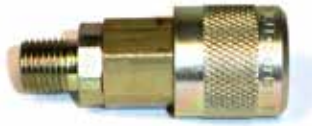
IBS, INCORPORATED

Air Line Accessories V03

AIR LINE FITTINGS

Lincoln Interchange Series

Warning: Couplers and Plugs listed below are intended for use on compressed air lines only. All have a maximum rated working pressure of 250 PSI.



LINCOLN SERIES - MALE COUPLERS

NPT End Size	Body Size			Qty
Male Couplers	1/4"	3/8"	1/2"	
1/4" MPT	C27			5



LINCOLN SERIES - MALE PLUGS

NPT End Size	Body Size			Qty
Male Plugs	1/4"	3/8"	1/2"	
1/4" MPT	CP27			5



LINCOLN SERIES - FEMALE COUPLERS

NPT End Size	Body Size			Qty
Female Couplers	1/4"	3/8"	1/2"	
1/4" FPT	C28			5



LINCOLN SERIES - FEMALE PLUGS

NPT End Size	Body Size			Qty
Male Plugs	1/4"	3/8"	1/2"	
1/4" FPT	CP28			5

Water Service Couplings

These water service couplings are ideal for use wherever water hoses are frequently connected and disconnected. They have a wide variety of applications which include garden hoses, wash down systems and mobile water tank lines.

- Valveless design permits maximum flow with minimum pressure drop.
- Brass and stainless steel construction for heavy duty service.
- Durable four ball locking mechanism for secure connections.
- Quality, temperature-resistant nitrile seals for a leak-free service life.



WATER SERVICE COUPLINGS

IBS No.	Description	Body Size	Thread Size	Qty
C1160	Coupler	3/4"	3/4 -11-1/2	5
CP1170	Nipple	3/4"	3/4 -11-1/2	5
CP1165	Rubber Washers			5

Universal Airline Fittings

- Fits Industrial, Automotive, and ARO 1/4" series plugs.
- Brass construction for durability and long life.
- Durable four ball locking mechanism for secure connections.
- Unique design keeps locking ring cocked when uncoupled allowing for quick, easy coupling with plugs. Simply push the coupling onto the plug and the locking ring snaps into place for a secure connection.



UNIVERSAL AIRLINE FITTINGS

IBS No.	Description	Qty
UC1	Female NPT	5
UC2	Male NPT	5





Universal Safety Couplers



- 5-in-1 coupler eliminates the guesswork and inconvenience of matching interchanges — fits Industrial, ARO, Automotive / Tru-Flate, Euro (Megaflow) and Lincoln 1/4," 3/8," & 1/2" series plugs.
- Designed to remain connected to the plug until the downstream air is completely bled off. Reduces the possibility of injury to personnel or damage to surrounding equipment from a whipping hose.
- Steel construction



MALE NPT COUPLER

Body Size	Thread Size	IBS No.	Qty
1/4	1/4-18	137720	1
	3/8-18	137723	1
3/8	1/4-18	137726	1
	3/8-18	137729	1
	1/2-14	137732	1
1/2	3/8-18	137735	1
	1/2-14	137738	1
	3/4-14	137741	1



FEMALE NPT COUPLER

Body Size	Thread Size	IBS No.	Qty
1/4	1/4-18	137721	1
	3/8-18	137724	1
3/8	1/4-18	137727	1
	3/8-18	137730	1
	1/2-14	137733	1
1/2	3/8-18	137736	1
	1/2-14	137739	1
	3/4-14	137742	1



HOSE BARB COUPLER

Body Size	Hose Barb Size	IBS No.	Qty
1/4	1/4	137722	1
	3/8	137725	1
3/8	1/4	137728	1
	3/8	137731	1
	1/2	137734	1
1/2	3/8	137737	1
	1/2	137740	1
	3/4	137743	1

AIR LINE FITTINGS





IBS, INCORPORATED

Air Line Accessories V03

Flexeel® Reinforced Polyurethane Coiled Air Hose

Flexeel® is the original reinforced polyurethane self-storing hose. This extremely lightweight hose is extruded with an inner braid for additional strength, and this "integral piece" process eliminates the need of bonding individual layers of tubing, braiding and cover which tend to separate over time due to bending, flexing and pulsating. Flexeel® combines the durability of bulkier hoses with the kink resistance and elasticity of polyurethane to make a tough, long-lasting hose that is user-friendly.



FLEXEEL REINFORCED POLYURETHANE COILED AIR HOSE with Reusable Strain Relief

IBS No.	I.D. x O.D. x L	FTG MPT	Working Pressure @ 70°F
130480	1/4 x 3/8 x 10'	1/4 S	200 psi
130481	1/4 x 3/8 x 15'	1/4 S	200 psi
130482	1/4 x 3/8 x 25'	1/4 S	200 psi
<i>Coil O.D. = 1-3/4" S = Swivel</i>			
130484	3/8 x 9/16 x 10'	3/8 S	200 psi
130485	3/8 x 9/16 x 25'	3/8 S	200 psi
<i>Coil O.D. = 2-7/8" S = Swivel</i>			

- Superflexible — 100% kink-proof Inner tube, braiding & outer cover will not separate
- Tight bend radius minimizes space requirements
- Rugged brass swivel fittings provide long life and minimal flow restrictions
- State-of-the-art strain relief system protects the hose and increases its maneuverability
- All swivel fittings include reusable thread sealant pre-applied at the factory
- Low tension retractability — minimizes user fatigue
- Abrasion resistant
- Soft Polyurethane material will not mar finishes
- Strong enough to repel most oils and chemicals
- 16" tail on the working (tool) end eliminates tangling of the tool coils
- 8" tail on the supply end makes the connection to the air source easy
- More durable and lighter weight than rubber hose — easy to handle
- Transparent yellow color

SPECIFICATIONS

Material:

- Inner Tube & Outer Cover — 85 Durometer Polyurethane
- Inner Braiding — Dacron Polyester
- Withstands 200 psi working pressure
- Factory applied thread sealant supplied on male swivel fitting
- Temperature Range: -40°F to 165°F

A
I
R
L
I
N
E
F
I
T
T
I
N
G
S





Flexeel® Reinforced Polyurethane Air Hose

Flexeel® Polyurethane Reinforced Hose offers an excellent alternative to much bulkier rubber and plastic hoses. Extremely lightweight and tough, it is ideal for either outdoor contractor use or indoor industrial use. Flexeel® retains its flexibility even in cold environments. The reinforced construction eliminates the possibility of having the various layers separate due to constant expansion and contraction during pulsating operations, such as with staple or nail guns. Reusable strain relief fittings are included.

Features:

- Lightest hose available
- Contemporary looking state-of-the-art strain relief system allows the hose to bend freely without kinking
- In the field repairs can be made quickly and easily with commercially available hose barbs and clamps — no special kits or hard to find fittings are needed
- Lays out flat and can be coiled into a loop even in sub-zero conditions
- Extremely tough and abrasion resistant
- Braiding, inner tube and outer cover will not separate
- Withstands 200 PSI working pressure
- Temperature Range: - 40°F to 165°F
- Available in yellow



FLEXEEL REINFORCED POLYURETHANE AIR HOSE with Reusable Strain Relief

IBS No.	I.D. x O.D. x L	FTG MPT	Working Pressure @ 70°F
130490	1/4 x 3/8 x 25'	1/4	200 psi
130491	1/4 x 3/8 x 50'	1/4	200 psi
130492	1/4 x 3/8 x 100'	1/4	200 psi
130493	3/8 x 9/16 x 25'	1/4	200 psi
130494	3/8 x 9/16 x 50'	1/4	200 psi
130495	3/8 x 9/16 x 100'	1/4	200 psi
130496	3/8 x 9/16 x 25'	3/8	200 psi
130497	3/8 x 9/16 x 50'	3/8	200 psi
130498	3/8 x 9/16 x 100'	3/8	200 psi

04-26-18



FLEXEEL REINFORCED POLYURETHANE AIR HOSE (BULK)

IBS No.	I.D. x O.D. x L	FTG IND	Working Pressure @ 70°F
130500	1/4 x 3/8 x any length	1/4	200 psi
130501	3/8 x 9/16 x any length	3/8	200 psi

Repair Fittings for Air Hose



REPAIR FITTINGS for Polyurethane Hose

IBS No.	Description	Qty
130788	Splicer for 1/4" Air Hose	1
130789	Splicer for 3/8" Air Hose	1
130790	1/4" NPT x 1/4" Hose Swivel / Strain	1
130791	1/4" NPT x 3/8" Hose Swivel / Strain	1
130792	3/8" NPT x 3/8" Hose Swivel / Strain	1



- Shock absorbing whip hose
- Ball swivel provides additional range of motion
- Maximum working pressure @ 70°F: 200psi

FLEXEEL REINFORCED BALL SWIVEL LEAD IN HOSE

IBS No.	FTG NPT	Hose ID	Hose Length	Working Pressure @ 70°F
130460	1/4	1/4	30"	200 psi
130461	1/4	1/4	60"	200 psi
130462	1/4	3/8	30"	200 psi
130463	1/4	3/8	60"	200 psi

AIR LINE FITTINGS





IBS, INCORPORATED

Air Line Accessories V03

AIR LINE FITTINGS

Yellow Belly PVC Air Hose



High Visibility Hose with Male NPT Rigid Ends

Yellow Belly Hybrid PVC Air Hose is constructed of a lightweight yet durable hybrid PVC material, and offers an superior alternative to the traditional rubber air hose.

- Half the weight of traditional rubber hose makes it easier to work with.
- Stays flexible in cold weather down to -40°F makes it ideal for colder, outdoor environments.
- Lays flat on the ground and resists kinking for safer use with less chance of tripping over or getting caught.
- Higher working pressure than traditional rubber hose — 300 psi vs 200 psi.
- Bright yellow color makes for improved shop safety.

Hose Material: Hybrid PVC resin

Working Pressure: 300 PSI

Temperature Range: -40°F to +200°F

Good Abrasion Resistance

Good Chemical Resistance

IBS No.	Hose ID (in.)	Length (ft.)	Fitting	Pkg Qty
130530	1/4	50	1/4" NPT Male	1
130531	1/4	100	1/4" NPT Male	1
130532	3/8	50	1/4" NPT Male	1
130533	3/8	100	1/4" NPT Male	1

Yellow Belly Repair Fittings



- Machined from quality brass stock
- Assembled with minimal tools
- Made in the USA

IBS No.	Hose ID (in.)	Fitting	Pkg Qty
130534	1/4	1/4" MPT Repair Fitting	1
130535	3/8	1/4" MPT Repair Fitting	1
130536	1/4	1/4" Splicer Yellow Belly Hose	1
130537	3/8	3/8" Splicer Yellow Belly Hose	1

Vinyl Hose Guards

Extends the life of your air hose as much as 75%! Vinyl Hose Guards are just as effective as metal spring guards yet they are less expensive and less cumbersome. They won't catch or scratch finished surfaces in manufacturing or auto repair applications. To install simply heat the Vinyl Hose Guard by inserting it into a bucket of hot water for a few minutes, or use a heat lamp, to expand it and slip it over the hose end. Allow it a couple minutes to cool down. Once it cools it will contract around the hose end providing a snug fit.



VINYL HOSE GUARDS

IBS No.	Description	Size	Qty
VG-4	Vinyl Hose Guards	1/4	2
VG-6		3/8	2

3 in 1 Manifolds

- Strong, lightweight machined aluminum construction.
- Supply 3 air operated tools from a single supply hose.
- Mount to pipe at workbench or overhead.
- Mount 3 different style couplers on one manifold.



3 IN 1 MANIFOLDS

IBS No.	Description	Inlet Thread	Outlet Thread	Qty
3404A	3 in 1 Manifold	1/4 NPT	1/4 NPT	1
3406A		3/8 NPT	3/8 NPT	1





Hose Crimper (T03)

- Provides production capability for crimping standard hose.
- Gives "big tool" crimping advantages at just a fraction of the cost.
- Comes with 5 dies to crimp 1/4"-3/8" ID hose in either one or two braid design.
- Die Sizes: 5/8" 37/64" 17/32" 31/64" 11/16"
- Rugged Construction: High strength ductile iron casting.
- Self-contained & Portable: All dies in one place, ready for use.
- One-hand operation: Positive camming action allows for good leverage at end of lever stroke.



HOSE CRIMPER

IBS No.	Description	Qty
AM855	Hose Crimper	1

Brass Ferrules

Use with standard hose barb fittings to make perfect connections to hose. Select ferrule I.D. dimension to closely match your hose O.D.



BRASS FERRULES

IBS No.	Description	ID	Qty
AM7325	Brass Ferrules	9/16	25
AM7326		39/64	25
AM7328		21/32	25
AM7329		11/16	25
AM7330		.725	25
AM7331		3/4	25

Dual Swivel Fitting

Allows a full 360° rotation which eliminates the tool and hose from working against one another, reducing operator frustration and fatigue.



DUAL SWIVEL FITTING

IBS No.	Description	Qty
130529	Dual Swivel Fitting	1

Air Line Chuck

- Ball Foot Chuck with Clip
- 1/4" NPT Female
- LIVE Air Line Only



AIR LINE CHUCK

IBS No.	Description	Qty
104CA	Air Line Chuck	1

Tire Inflator Gauge

- Heavy, chrome plated castings with protective vinyl sleeve over dial tube.
- All brass internal parts.
- Plated steel is riveted to body - will not come off.
- Solid brass triangle dial with extra large markings can be read easily from any angle.
- Valve and dial units easily replaced in the field.
- Calibrated 10 - 120 psi in 2 psi increments.
- 12" hose with swivel dual-foot chuck.



TIRE INFLATOR GAUGE

IBS No.	Description	Qty
101D	Tire Inflator Gauge	1

AIR LINE FITTINGS



IBS, INCORPORATED

Air Line Accessories V03

A
I
R

L
I
N
E

E

F
I
T
T
I
N
G
S

Typhoon Max Flow Blow Gun



Our most powerful blowgun. Perfect for high-volume industrial cleanup and blow-off operations. Delivers 34 CFM maximum blowing volume with a thrust of over 2 pounds at 125 psi.

- **Tapered high-flow tip** allows access to hard-to-reach areas for more thorough and complete cleanup saving users time and money.
- **Light-weight and ergonomic design** provides more comfort for users, making them more productive and less likely for fatigue and injury.
- **Meets OSHA standard** 1910.95 for noise levels and standard 1910.242B for dead-end pressure to keep users safe and reducing injuries.
- **Variable flow trigger** for controlled blow-off allows for minimum or maximum pressure in areas where gentler or stronger pressure is required, avoiding damage or overblowing keeping debris better contained for less mess and faster cleanup – saves users time and money.
- OSHA 1910.242B, OSHA 1910.95

TYPHOON MAX FLOW BLOW GUN

IBS No.	Description	Qty
130516	Typhoon Max Flow Blow Gun	1

Super-Flow Blow Gun



- Specially designed tip has larger holes and more of them, which translates to more blow off power.
- Special internal valve designed to provide high power and maximum efficiency at the tip.
- Combines comfort, style, efficiency and economy while delivering more CFM (Cubic Feet per Minute) than any other lever operated blow gun.
- Ergonomically designed to fit the natural contour of the user's hand, maximizing comfort even during long term use.
- Provides a wider range of motion to direct the additional working capacity right where it's needed, resulting in increased blow-off efficiency.
- Unique thermoplastic wrap around body cover gives a distinctive look and maximizes user comfort.
- Unique tip design still meets safety requirements while offering superior air delivery.
- Full size hanging hook makes gun easy to store and use.
- Conforms to OSHA Standards for both psi dead-ended pressure and noise level exposure.

SUPER-FLOW BLOW GUNS

IBS No.	Description	Qty
130550	Super Flow Blow Gun	1





Pistol Grip Blow Guns

- Variable flow control for precise air delivery.
- Lightweight and ergonomic design reduces user fatigue.
- Brass reinforced inlet 1/4" FPT to fit standard hose ends and coupling plugs.
- IBS No. 130504 will support a variety of standard blow gun tips to suit any application.



**SAFETY WHISPER TIP
PISTOL GRIP BLOW GUN**

IBS No.	Description	Qty
130505	Permanently attached slender 4-1/4" bent nickel plated brass nozzle and a "star-tip" prevents dead-ending. This is a safety grip blow gun and the body color is black.	1



**SAFETY TIP
PISTOL GRIP BLOW GUN**

IBS No.	Description	Qty
130504	Features a nickel plated brass 1/8" female NPT adapter to accommodate all other tips. Body color is black.	1

Blow Gun Non-Safety Tips



RUBBER TIP

IBS No.	Description	Qty
130513	Soft rubber tip with nickel plated brass base will not scratch or mar delicate surfaces.	1



NICKEL PLATED BRASS NON-SAFETY

IBS No.	Description	Qty
130515	Basic tip for blow off applications where a narrow, concentrated stream of air is required.	1



3" NYLON FLEX TIP

IBS No.	Description	Qty
130514	Designed to get into tight areas without marring delicate surfaces, especially where some bending is required.	1

NOTE

Safety Tips do not have a safety by-pass and must be used on air lines that have a regulated maximum pressure of 30 psi in order to comply with OSHA standards.

AIR LINE FITTINGS



IBS, INCORPORATED

Air Line Accessories V03

AIR LINE FITTINGS

Blow Gun Safety Tips



NICKEL PLATED BRASS BOOSTER TIP

IBS No.	Description	Qty
130507	Multiple holes create a venturi effect which increases air flow and working capacity.	1



NICKEL PLATED BRASS SAFETY TIP

IBS No.	Description	Qty
130506	General purpose tip for blowing away dust, chips, etc.	1



NICKEL PLATED STEEL STRAIGHT REPLACEMENT TIPS

IBS No.	Description	Qty
130509	3" Extension Tip	1
130510	6" Extension Tip	1
130511	12" Extension Tip	1
130512	24" Extension Tip	1

MEETS SAFETY STANDARDS

OSHA standard 1910.242 (B) permitting a maximum of 30 psi outlet pressure when dead ended with a maximum of 150 psi inlet pressure OSHA standard 1910.95 regulating occupational noise level exposure.

Vari-Flo Blow Gun



- Tough zinc die-cast body that is made to last even in the harshest environments.
- Ergonomic design of the body and large operating lever reduce user fatigue and discomfort, even during long term use.
- Chrome-plated finish for an attractive appearance and superior corrosion resistance
- Supplied with 1/4" NPT female outlet thread for use with the most standard blow gun tips.
- 1/8" NPT female outlet thread for use with most standard blow gun tips.
- Conforms to OSHA standards for noise levels (1910.95) and less than 30 PSI dead-ended pressure (1910.242B).
- Four self-lubricating "O-Rings" prevent valve leakage, making blow gun repairs unnecessary.

Specifications:

Pressure Rating:	150 psi
Operating Temperature:	32° to 175°F
Body:	Die Cast Zinc (Chrome Plated)
Nozzle:	Brass
Thumb Grip:	Vinyl
Internal Components:	Brass

VARI-FLO BLOW GUNS

IBS No.	Description	Qty
130502	with Safety Tip	1



IBS, INCORPORATED

Miscellaneous Tools T03

ReelTek™

Air / Water Reels for Light Industrial Use

A new, lighter spring-driven hose reel designed for applications that are less demanding, yet require a product that can withstand industrial use. ReelTek's hybrid design incorporates industrial-grade steel and composite materials to virtually eliminate corrosion.

Easy-to-install and maintain, ReelTek™ conveniently keeps hoses organized for a more efficient, safer work area. Simply pull out the hose to the desired length, lock into position during use, and retract when finished. Hoses stored on reel last five times longer, stay out-of-sight, and out-of-the-way.

REELTEK™ HOSE & REEL ASSEMBLIES

IBS No.	Description	Qty
131271	Reel for 1/4" x 50' Hose 1/4" x 50' Flexeel Hose Rubber Stopper	1
131293	Reel for 1/4" x 50' Hose 1/4" x 35' Flexeel Hose Rubber Stopper	1
131272	Reel for 3/8" x 50' Hose 3/8" x 50' Flexeel Hose Rubber Stopper	1
131294	Reel for 3/8" x 50' Hose 3/8" x 25' Flexeel Hose Rubber Stopper	1

REELTEK™ HOSE REELS

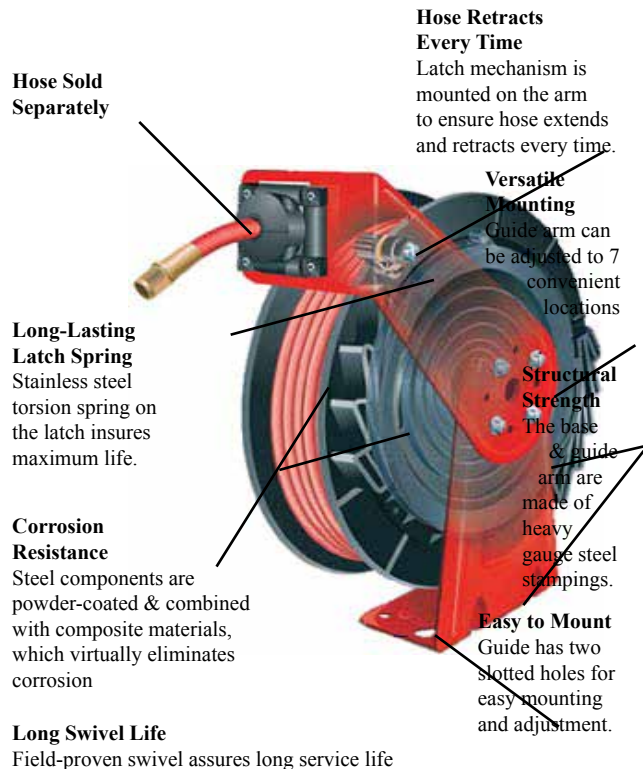
IBS No.	Description	Qty
131184	Reel for 1/4" x 50' Hose	1
131185	Reel for 3/8" x 50' Hose	1

REPLACEMENT HOSE

IBS No.	Description	Qty
130491	1/4" x 50' Flexeel Polyurethane Air Hose	1
130494	3/8" x 50" Flexeel Polyurethane Air Hose	1

ACCESSORIES

IBS No.	Description	Qty
131186	Rubber Stopper	1



Installation . . . Easy as 1, 2, 3



Step 1

Locate stud & layout bolt hole pattern of the reel. Drill pilot holes into the stud

Step 2

Thread lag screws into pilot holes.

Step 3

Hang reel onto lag screws. Securely tighten lag screws. Ready to use.

ReelTek is ideal for . . .

- Light industrial
- Air-powered tools
- Assembly lines
- Machine shops
- Maintenance shops
- Auto / truck repair
- Auto Paint & Body
- Farm & ranch
- Woodworking
- Garden shops
- Home workshops
- Many more uses

AIR LINE FITTINGS

